

MADE IN
GERMANY



Built-in food slicer BFS 52 S

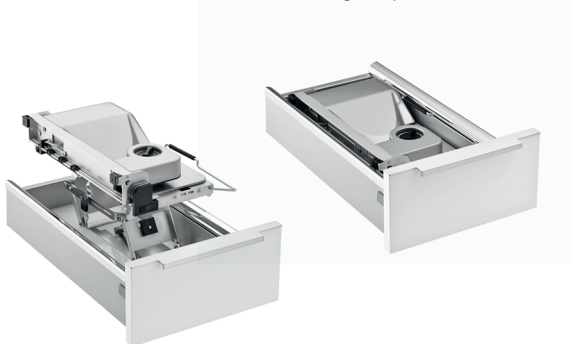
Solid foldaway mechanism without taking up much space at all!

for installation in any standard drawer with a cabinet width of 30 cm and more

prerequisite: clear width drawer > 197 mm

The built-in food slicer BFS 52 S requires a minimum of space. It can fit into any standard drawer with a cabinet width of at least 30 cm and therefore offers the optimum of space in any kitchen.

For easy cleaning, the food slicer may be removed from the drawer without using any tools.



Item No. / GTIN

545.010 / 40 04822 54510 3

Features

- food sliced from right to left
- metal construction
- serrated circular blade, 17 cm Ø
- slice thickness adjustable up to approx. 14 mm
- safety switch for intermittent and continuous operation
- automatic folding lock when slice thickness is set
- food tray
- folding up fixture locks automatically
- VDE/GS, protection class 2, CE
- 230 Volt, 65 Watt, duty cycle 5 min.
- weight 4.3 kg

Dimensions

height: 79 mm width: 195 mm depth: 385 mm
(folded, without food tray)

Optional

smooth ham- and sausage circular blade

Warranty

2 years*, product made in Germany

Technical data are subject to change

*The 2-year manufacturer's warranty applies to all devices sold within the European Union. Your legal warranty claims according to § 437 ff. BGB (German Civil Code) remain unaffected by this regulation. You can view the warranty conditions at <https://www.ritterwerk.de/warranty>.